



# Easy-Ride™ Taxi-Trike

Engineered to stay on the move—all day, every day, year after year—your Taxi-Trike is one of the most durable institution-quality vehicles available. And it's guaranteed for five full years!

The taxi-trike is sure to provide a fun and roomy ride to both driver and passenger! It features pedals designed to provide a secure foothold, plus lightweight rims and tires that make it easy to maneuver. Big rear wheels provide extra stability for young riders.

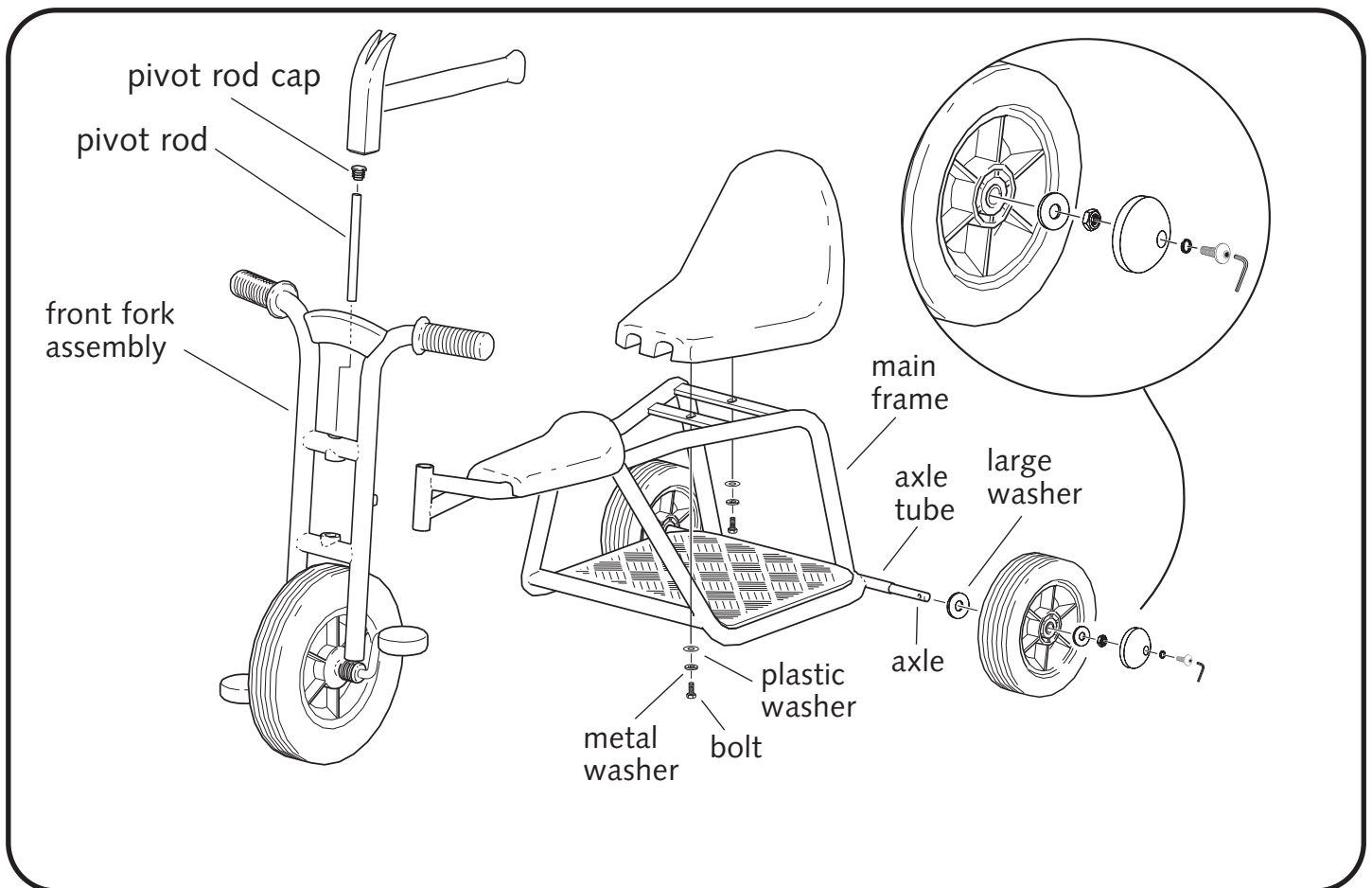
## Easy-Ride Taxi-Trike Unlimited Warranty

*We think you've just purchased the toughest Taxi-Trike in the world.  
Here's what we'll do to prove it!*

At no cost, we will replace ANY parts that break for ANY reason during the first five years you have the Easy-Ride Taxi-Trike.

We have a complete stock of all Easy-Ride Taxi-Trike parts so that you can buy anything you need from us after this warranty expires. See the parts list inside.

Direct all requests to: Lakeshore Learning Materials  
2695 E. Dominguez St.  
Carson, CA 90895  
(800) 428-4414

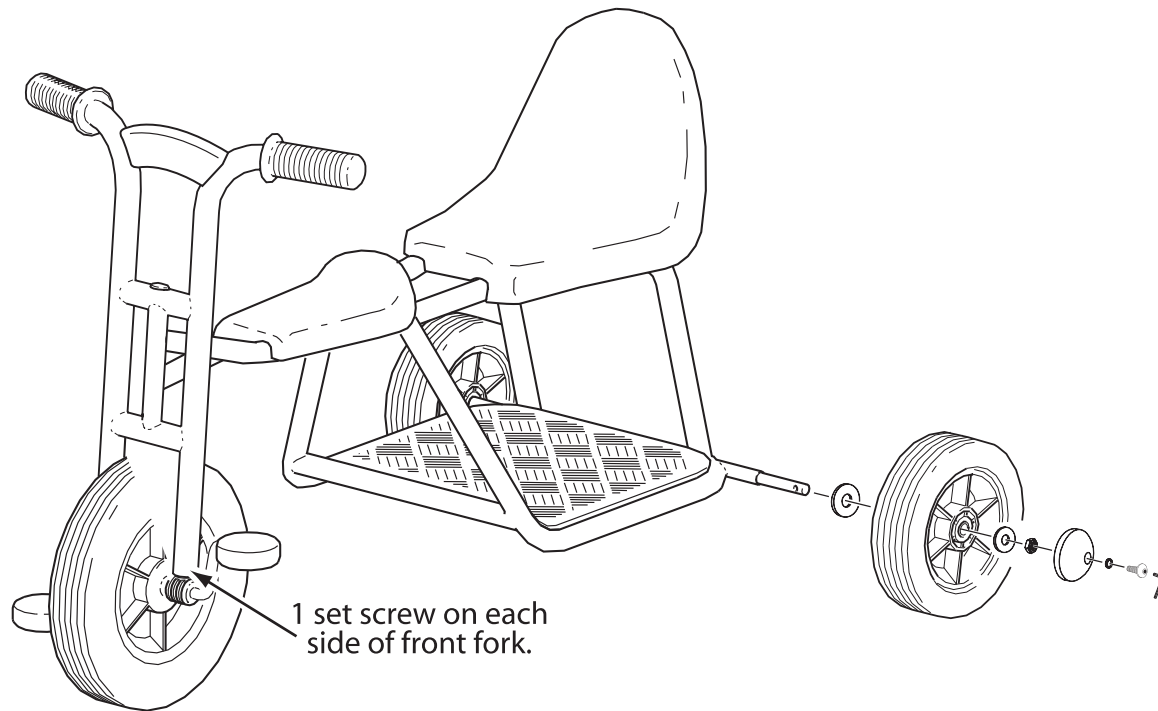


## How to Assemble Your Easy-Ride Taxi-Trike

To assemble your trike, all you need is a rubber mallet or a hammer. (We've provided a wrench and an Allen key.)

- Position the seat over the frame. Slide a metal washer and then a plastic washer onto each bolt. Insert the bolts through the frame and into the holes in the seat. Use the wrench to tighten the bolts securely.
- Position the front fork assembly and the main frame so that the pivot rod holes are aligned. Be sure the black rubber stoppers on the front fork assembly are facing the rear of the trike. Next, insert the pivot rod through the holes in the front fork assembly and the main frame.
- Push the pivot rod cap onto the top of the pivot rod. Use a rubber mallet or a hammer to gently tap the cap into the hole. (**Note:** If you use a hammer, be sure to place a cloth over the pivot rod cap to protect the powder coating on the main frame.)
- To attach the rear wheels, first remove the black plastic protective cap at the end of the axle, and discard. Turn the trike upside-down and find the notch at one end of the frame's axle tube. Slide the end of the axle into that end of the tube, and turn it until the screw on the axle fits into the notch of the tube. Next, slide the larger flat washer over the axle, followed by the wheel and then the remaining flat washer. Screw the nut onto the axle and use the wrench to tighten the nut securely.
- Position the hubcap over the end of the axle. Fit the spring washer into the top of the hubcap, then insert the screw and use the Allen wrench to tighten the screw firmly. That's it—your Easy-Ride Taxi-Trike is now ready for use!

# Before You Ride...



Before children ride their new vehicle, have an adult use the enclosed tools to tighten all pre-assembled hardware. Please refer to the above illustration to help you locate the set screws that require tightening. Once you have completed this step, the vehicle will be ready for use! To maximize safety, check the screws regularly, and tighten as necessary.

**Note:** It is recommended that riders should always wear a properly fitted helmet that complies with U.S. Consumer Product Safety Commission (CPSC) Standard 16 CFR 1203.

To order replacement parts, see back.

# How to Order Replacement Parts for Your Taxi-Trike

After your warranty has expired, a time may come when a part needs to be replaced because of normal wear and tear.

1. Use the diagram below to determine exactly what part needs to be replaced.
2. Locate the part number on the list at right.
3. For prices and ordering information, contact our Customer Service Department at (800) 428-4414.

## PARTS LIST

M102	Rear wheel with hardware	M111	Pinch guards (2), nylock rivet screws (2), Allen key
M103	Rear axle with 2 hubcaps and hardware	M112	Rear seat with bolts (2), washers (2), plastic washers (2), and wrench
M104	Front seat with bolt, washer, plastic washer, and wrench	M113	Seat hardware only for rear seat
M105	Pedals (set of 2)	M123	Front wheel with tire, pedal bar assembly, and pedals (2)
M106	Handgrips (set of 2)	M124	Foot plate with nylock screws (5) and Allen key
M107	Pivot rod and cap	M125	Complete front fork assembly with wheel
M108	Pivot rod cap only	M157	Main frame
M109	Hubcaps (2) with hardware (Allen key, 4 washers, 2 spring washers, 2 nuts, and 2 screws)		
M110	Seat bolt with washer, plastic washer, and wrench		

This detailed drawing indicates every individual part that makes up your new Easy-Ride Taxi-Trike.

