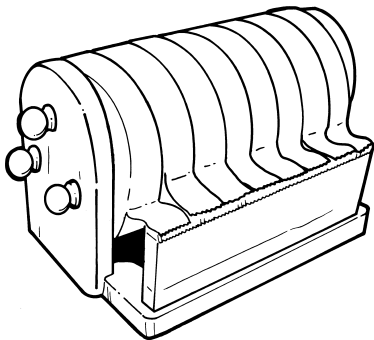


Super-Safe Craft Tape Center 1"



The Super-Safe Craft Tape Center neatly holds eight rolls of colorful craft tape. The dispenser has a safe cutting edge and non-slip rubber feet, so it's perfect for any classroom. Although the cutting edge has been "kid-tested," adult supervision is recommended.

(continued on back)



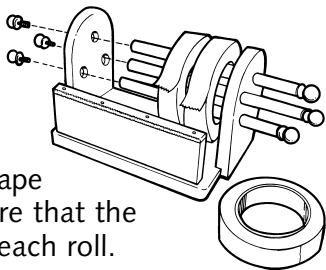
WARNING:

CHOKING HAZARD—Small parts.
Not for children under 3 yrs.

To install the tape rolls, unscrew the end knobs on the left side of the dispenser.

Pull the dowels partially out of the dispenser, clearing enough space to slide the tape rolls over them.

Slide all eight of the rolls of tape over the dowels, making sure that the tape pulls off of the *top* of each roll.

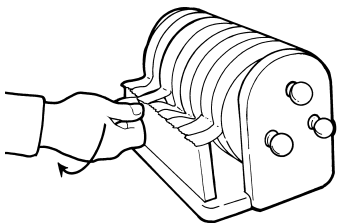


When all of the tape has been installed, slide the dowels back through the guide holes and screw the knobs back over the dowels.

Once you have loaded the tape into the dispenser, you're ready to roll!

Choose the color tape you want to use, extend the length you need off of the roll, and pull it over the

cutting surface! Tear across the cutting edge (as shown at right). **Note:** You have to tear *across* the cutting edge, **not** straight down.



Tape refills are available (Items *SD742 Craft Tape Pack – Bright Colors* and *SW139 Craft Tape Pack – Pastel Colors*). Call to order!