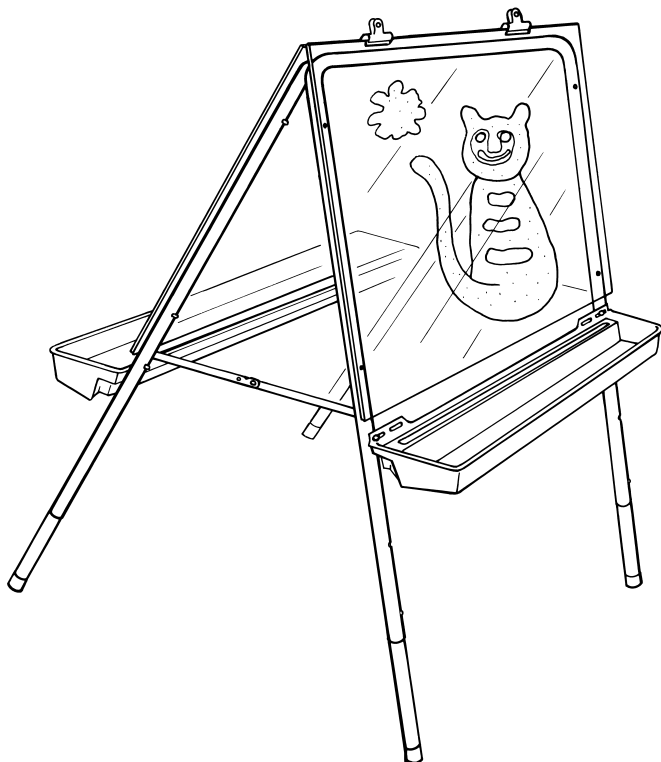


Indoor/Outdoor Easy-Clean Easel



To assemble your Indoor/Outdoor Easy-Clean Easel, follow the instructions in this guide. In only a few minutes, your classroom artists will be creating washable works of art!

*You will need a Phillips screwdriver
and a pair of pliers to assemble your easel.*

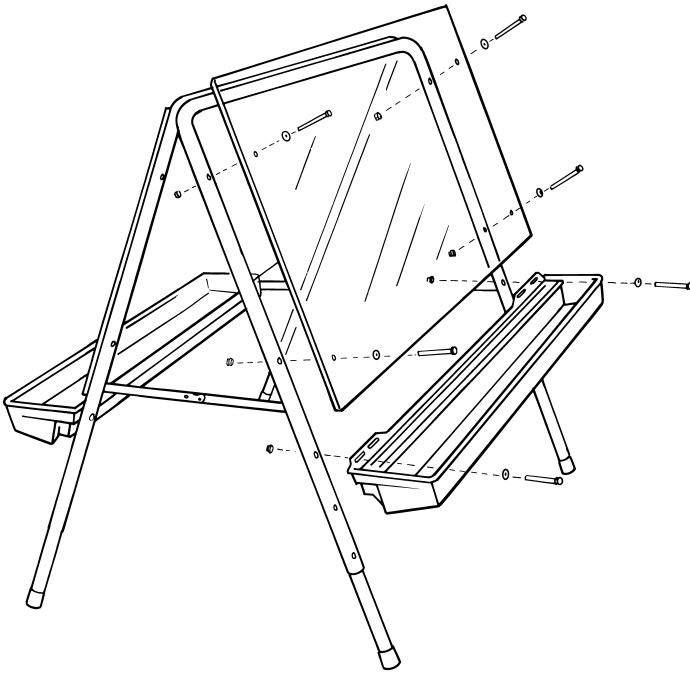
Parts

- 1 easel frame
- 2 clear acrylic easel backs
- 2 plastic paint trays
- 4 easel clips

Hardware

- 12 screws
- 12 nylock nuts
- 12 washers

(continued on back)



To assemble your easel, refer to the illustration above.

Note #1:

It is important that the washers are placed between the screws and the easel, as shown above.

Note #2:

For the nylock nuts to function properly, it is imperative that the plastic ends face away from the easel legs. When tightening the nuts, you will need to use the screwdriver for the screws and the pliers to hold the nuts in place.

Note #3:

Always use washable paints when using this easel. Never use oil-based paints or markers, as they can't be removed from the surface.

Adjustable Legs

To adjust the height of your easy-clean easel, refer to the illustration at right.

