

Giant/Economy Sand & Water Tables

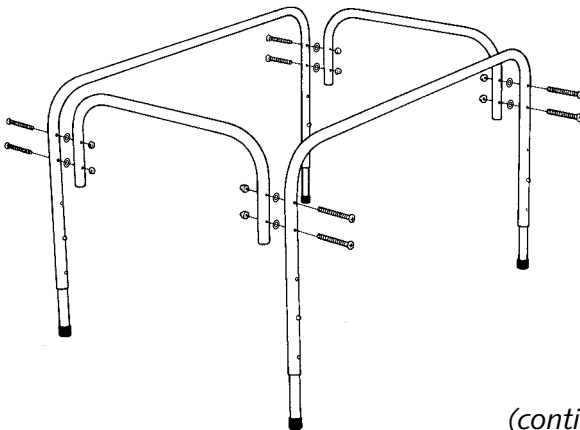
Assembling your sand & water table is quite easy. Just follow the written instructions and accompanying illustrations—you'll be done in no time! To assemble your table, you will need a wrench and a Phillips screwdriver. All other hardware is included.

What's Included

- Sand & water tub
- 8 bolts
- 2 side frames (with adjustable legs)
- 2 braces
- 8 nylock nuts
- 8 washers

Assembly Instructions

- 1 Use the bolts to attach the side frames to the braces. Place a washer on each bolt, between the frame and the brace. Be sure to insert the bolts so that their heads are on the outside of the frames. Attach the cap nuts to the bolts. Tighten with the wrench and screwdriver.



(continued on back)

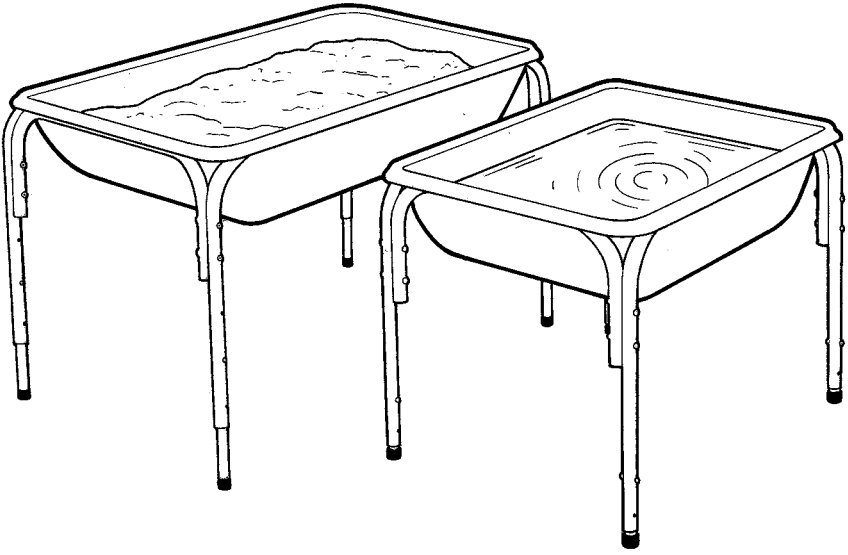


WARNING:

ADULT ASSEMBLY REQUIRED—This product contains hardware that, before assembly, can pose a choking hazard to children under the age of 3 years. Care should be taken when unpackaging and assembling this product.

2

Drop the sand & water tub into the frame. Your new sand & water table is ready to use! Enjoy!



Adjusting the Table Legs

The economy table has legs that can be adjusted to two heights, while the giant table can be adjusted to three different heights.

To adjust the legs to the desired height, simply push in the tabs and slide the legs up or down, as shown at right.

Be sure to adjust the legs before you place anything in the tub!

