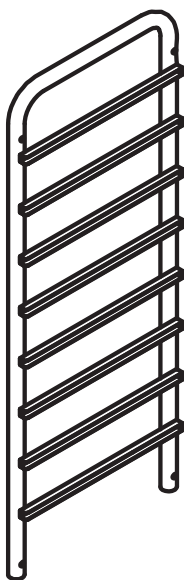


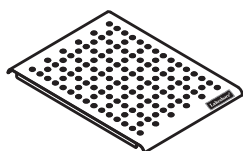
Storage Tray Mobile Organizer

Assembling your new organizer is simple—just follow the directions in this guide! We've provided all the tools you'll need. Before you begin, check the contents below to make sure you can identify the pieces.

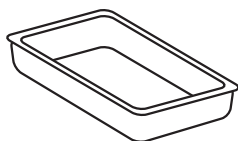
What's Included



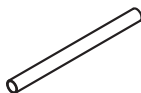
side frames (2)



shelf



drawers (8)



rods (4)

Hardware



bolts (8)



spacers (8)



Allen wrench



free-rolling
casters (2)



locking
casters (2)



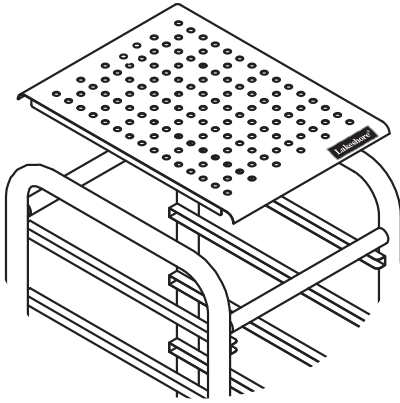
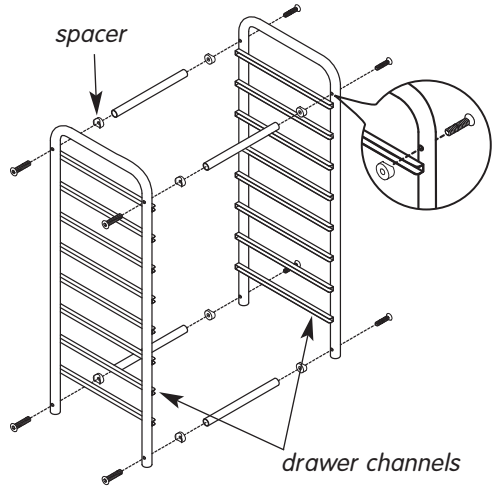
caster wrench



WARNING:

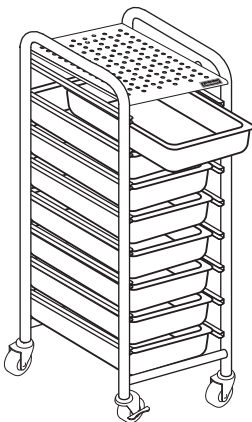
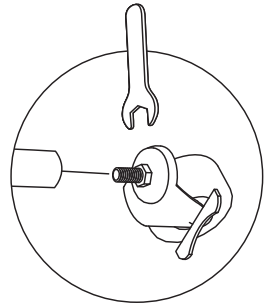
ADULT ASSEMBLY REQUIRED—This product contains hardware that, before assembly, can pose a choking hazard to children under the age of 3 years. Care should be taken when unpackaging and assembling this product.

1. Use bolts and spacers to attach the rods between the side frames as shown.
 - Make sure the drawer channels on the frames face in.
 - Place spacers between the rods and the side frames as shown.
 - Tighten each bolt with the Allen wrench.



2. Snap the shelf onto the two rods on top.

3. Lay the organizer on its side. Slide the casters into the ends of the legs. (Attach the locking casters in diagonally opposite corners. Attach the free-rolling casters in the remaining corners.) Use the caster wrench to tighten the nuts on the casters.



4. Set the organizer upright and slide the drawers into the channels. Move the organizer into place and push the levers down to lock the casters. That's all there is to it!